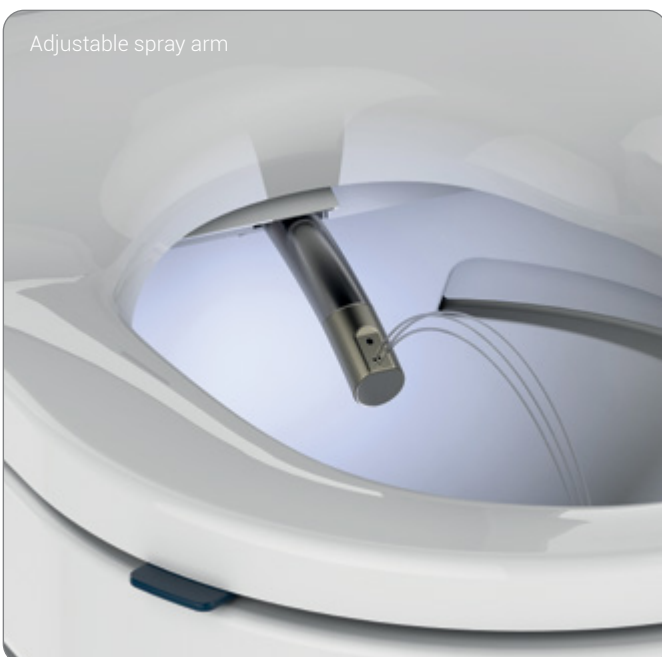


## Product overview

Ideal for both social care and private installations, the AKW Bidet has been developed to offer a cost-effective, quick to install, and easy to use and maintain bidet for those wanting a non-permanent toileting solution. The AKW Bidet is water mains fed and offers a range of temperature, spray and dryer options.

## Guarantee & approvals

+ BS EN 60335



## Features and Benefits

Adjustable spray, temperature and dryer settings allow the user to tailor the bidet to meet their specific comfort and cleaning requirements.

### Spray control

- + 5 rear wash positions
- + Feminine wash
- + 5 spray intensity settings (approx. 0.6L-1L per minute)
- + 1-2 minute wash cycles
- + 4 spray modes: Steady, Pulsating, Oscillating, Pulsating + Oscillating

### Temperature controlled water

- + High power, 1750w instantaneous water heater
- + 2 minute constant wash cycle
- + 1 minute gradual cooling wash cycle
- + 6 stage temperature control (approx. 31-39°C)
- + Side entry water supply

### Dryer settings

- + 350W dryer
- + 3 minute standard drying cycle
- + 6 temperature settings (40-52°C approx.)
- + 5 adjustable speed settings

**Self-cleaning function** ensures the nozzle and surrounding area are hygienic.

- + Pre and post wash nozzle cleaning
- + Automatic water purge if not used for 72 hours

**Night light** helps users with sight loss or dementia locate the toilet in the dark/dimly lit conditions.

**Quiet and efficient operation** promotes user dignity whilst providing a reliable experience.

- + Low noise heater, water pump, dryer motor
- + Pressure and flow optimised for efficient and continuous cleaning

**Remote control** provides users with full function control via a handheld, ergonomic remote, which is easy to use and supports carers with maximising user dignity.

**Integral seat sensor** prevents accidental usage by ensuring activation only occurs when the seat is in use.

**Lid and seat lift assist** with front moulded grip and contrasting seat tabs.

**Quick release seat and lid** makes cleaning, maintenance, or even moving property easier.

**Soft close seat and lid** is slower, quieter and therefore safer for users.

**Seat lugs** provide stability when side transferring.

**Strong load limit** of 150kg/23.5st ensures the bidet is suitable for a wide variety of users.

**UK sized aperture** allows for compatibility with AKW sanitaryware and most common UK toilet pans.

**Quick and easy to install** with no specialist tools required. You may require a plumber and/or electrician.

**Easy to clean** with very little maintenance required throughout the bidet's lifetime

## Features and Benefits (continued)

### Low pressure mode

- + When in standard mode, the AKW Bidet requires 0.5 (dynamic)-10 (static) bar of pressure to achieve a flow rate of 0.6L-1L per minute. This water is instantaneously heated with no restart time required.
- + If the water supply experiences low pressure, then low pressure mode can be selected to allow the bidet to continue working efficiently.
- + Low pressure mode requires just 0.2 (static)-10 (static) bar to achieve a flow rate of 0.45L-0.65L per minute, with a maximum 25 second restart period.

### Warranty

- + 2 year warranty

### Product Codes:

AKW Bidet side entry Consilio seat and lid (available from 2021)	30501
AKW Bidet side entry Ergonomic seat and lid	30502
AKW Bidet bottom entry Consilio seat and lid (available from 2021)	30503
AKW Bidet bottom entry Ergonomic seat and lid (available from 2021)	30504
AKW Bidet remote control	18-009-028



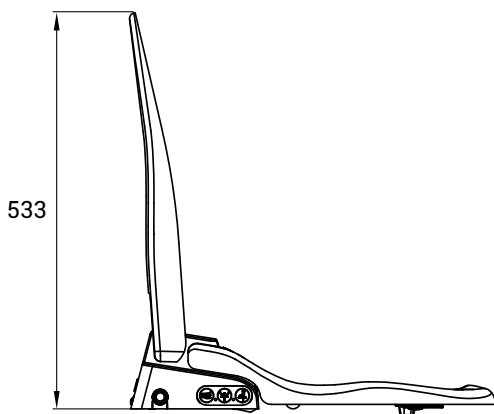
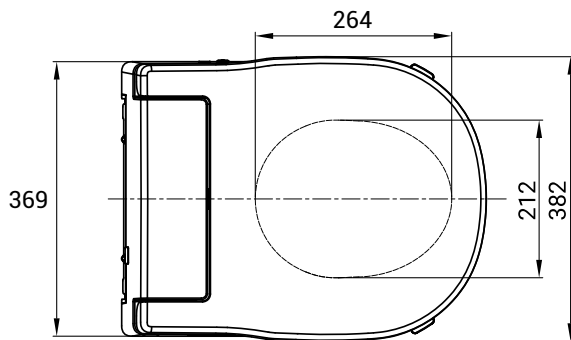
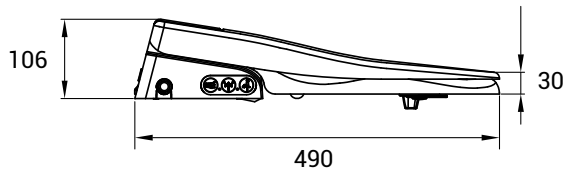
## Technical Specification

<b>Wash</b>	Rear wash	Yes
	Female wash	Yes
	Oscillating spray	Yes
	Pulsating spray	Yes
	Oscillating and pulsating spray	Yes
	Adjustable water temperature	6 levels (default 4th)
	Temperature modes	Constant temperature (default) and gradual cooling
	Adjustable flow rate	5 steps (default 3rd)
	Adjustable spray position	5 steps (default 3rd)
<b>Warm Air</b>	Air drying	Yes
	Adjustable dryer temperature	6 levels (default 3rd)
	Adjustable dryer rate	5 steps (default 3rd)
<b>Hygiene</b>	Nozzle auto cleaning	Yes
	Nozzle manual cleaning	Yes
<b>Features</b>	Night light	Yes
	Soft closing seat and cover	Yes
	Quick release seat and cover	Yes
	Control buttons	Yes
	Remote control	Yes
<b>Specification</b>	Water supply connector	G 1/2"
	Water supply direction	Side entry
	Water supply pressure	Min 0.5 (dynamic)~Max 10 (static) bar
	Water supply temperature	4~30°C
	Rated voltage	AC230V, 50HZ
	Power rating	1750W
	Length of power cord	approx. 1.5m
	Ambient temperature	4~40°C
	Protection degree	IPX4
Maximum weight loading	150kg	
<b>Wash Device</b>	Flow rate (standard)	600~1000ml/min
	Flow rate (low)	450~650ml/min
	Water temperature	31~39°C
	Wash cycle time (standard)	2 Minutes at constant temperature mode or 1 minute at gradual cooling mode.
	Wash cycle time (low)	1 Minute at constant temperature mode and gradual cooling mode.
	Heating mode	Element
	Safety device	Thermal cut out fuses\liquid level\switch\thermostat
	Back flow prevention	Air gap
<b>Dry Device</b>	Minimum air volume	0.2m <sup>3</sup> /min
	Maximum dryer power	350W
	Warm air temperature	40~52°C
	Dry cycle time	3 minutes
	Safety device	Thermal cut out fuses/thermostat
<b>Remote Control</b>	Frequency	~2460MHz
	Maximum RF output power	0dBm
	Type of batteries	2x 1.5V LR03 AAA (batteries not included)

## Dimensions

### Ergonomic seat option

Compatible with AKW Livenza close coupled toilet pan, as well as most common UK toilet pans.



### Consilio seat option

Compatible with AKW Navlin and Doc M toilet pans, available from 2021.

